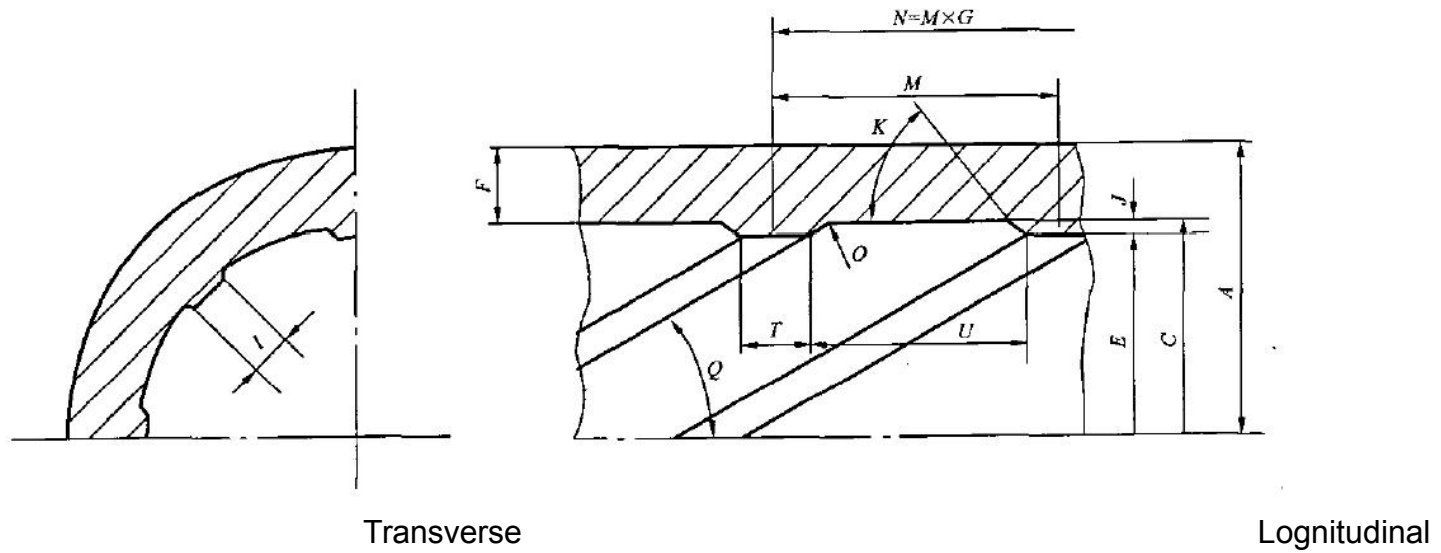




Products – Inner threaded steel tube for high pressure boiler
GB/T 20409-2006

A type size:





A (mm)	C (mm)	E (mm)	S (mm)	F (mm)	G (mm)	I (mm)	J (mm)	K (mm)	O (mm)	M (mm)	N (mm)	Q (mm)	T (mm)	U (mm)
28.6	15.84	13.39	6.38	5.8	4		0.85			21.55	86.19			13.27
44.5	33.18	30.34	5.66	5.1	6		1.01			30.08	180.49			21.80
45	33	30.20	6	5.4	6		1.01			30	180			21.70
50.8	37.92	34.93	6.44	5.8	8		1.06			25.79	206.29			17.51
51	38.35	35.35	6.33	5.7	8		1.10			26.10	208.80			17.80
60	46	42.92	7	6.3	8		1.10			31.30	250.40			23
60	44	41	8	7.2	8		1.10			30	240			21.70
60.3	43.40	40.32	8.33	7.5	8		1.12			29.52	236.16			21.24
60.3	42.30	39.10	9	8.1	8		1.12			28.76	230.10			20.49
60.3	31.44	28.55	14.43	13	8		1.02			21.38	171.07			13.11
63.5	48.80	45.64	7.33	6.6	8	4.78	1.16	55°	0.13-1.27	33.19	265.54	30°	8.28	24.91
63.5	48.50	45.30	7.50	6.7	8		1.16			33	264			24.70
63.5	47.72	44.53	7.89	7.1	8		1.17			32.49	259.89			24.21
63.5	47.52	44.29	7.99	7.2	8		1.15			32.31	258.51			24.03
63.5	39.24	36.19	12.13	10.9	8		1.07			26.70	213.49			18.42
63.5	39.09	36.10	12.21	11	8		1.04			26.59	212.70			18.31
63.5	35.30	32.32	14.10	12.7	8		1.04			24	192			15.72
63.5	34.64	31.66	14.43	13	8		1.04			23.56	188.49			15.28
69.8	37.77	34.72	16.04	14.4	8		1.07			25.68	205.46			17.40
70	50	46.72	10	9	8		1.20			34	272			25.72
70	52	48.70	9	8.1	8		1.20			35.37	282.95			21.09
76.2	39.55	36.47	18.33	16.5	8		1.07			26.99	215.19			18.62



Tolerance

Code	Item	Tolerance
A	OD ≤ 38.1mm 38.1mm < OD < 50.8mm 50.8mm ≤ OD < 63.5mm OD ≥ 63.5mm	± 0.15mm ± 0.20mm ± 0.25mm ± 0.30mm
C	OD ≤ 38.1mm 38.1mm < OD < 50.8mm 50.8mm ≤ OD < 63.5mm OD ≥ 63.5mm	± 0.15mm ± 0.20mm ± 0.25mm ± 0.30mm
E		Minus tolerance is 0
F		+22%
G		
I		
J	OD ≤ 38.1mm 38.1mm < OD < 50.8mm 50.8mm ≤ OD < 63.5mm OD ≥ 63.5mm	± 0.30mm
K		± 15°
O		
M		± 3.2mm
N		± 3.2mm x Thread qty
Q		Rated value
T		± 1.3mm
U		

